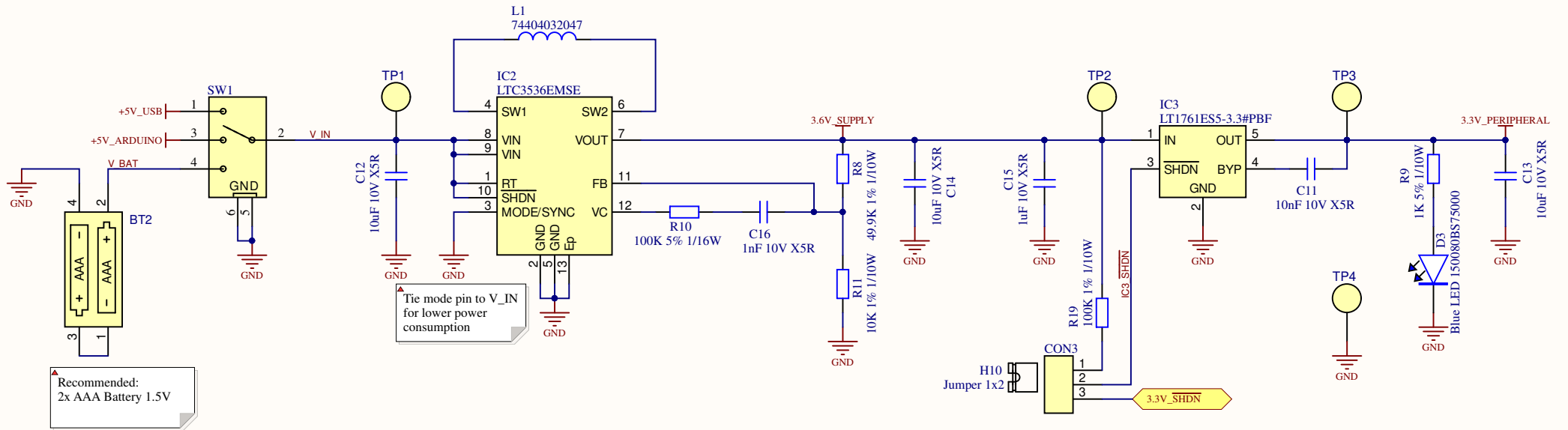


Power



Title: Emstat Pico Development Board | Power

Size: A4 Revision: 3-2019-001

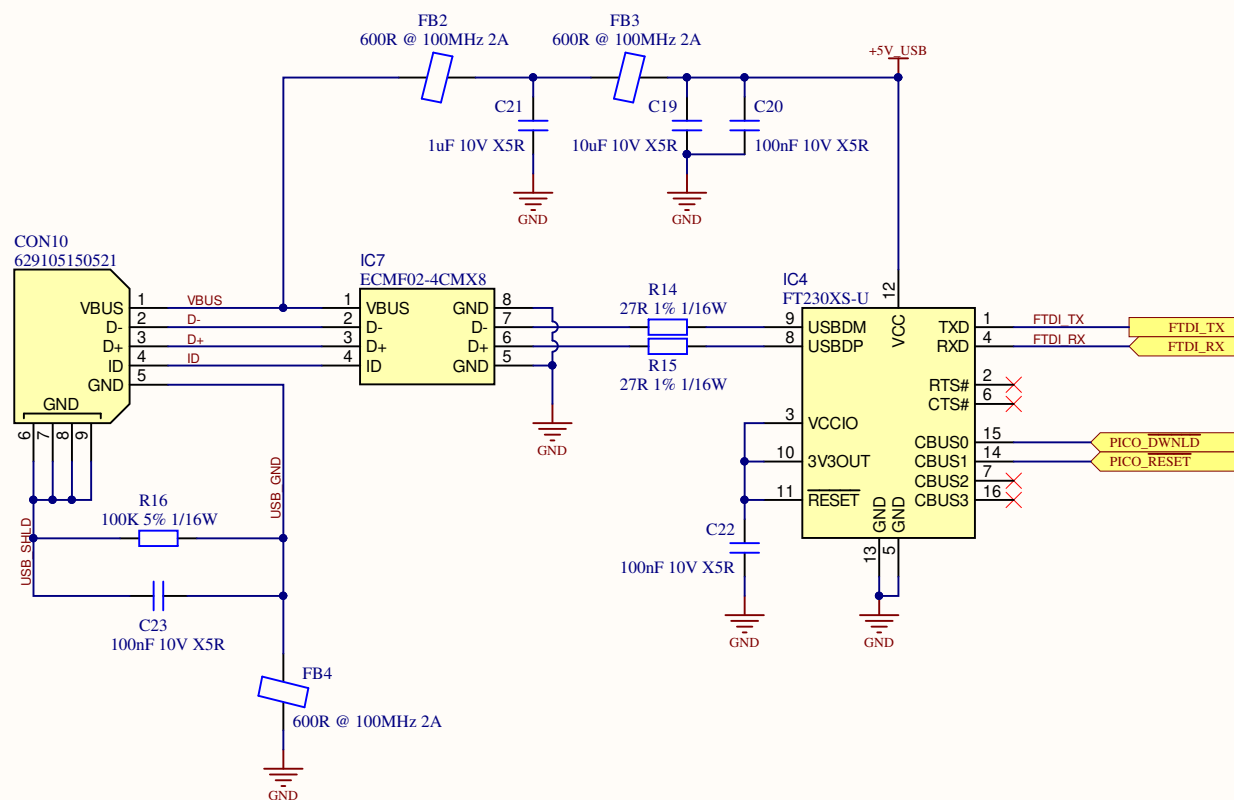
Date: 28/02/2019

Sheet 2 of 7

PalmSens BV
Randhoeve 221
3995 GA Houten
Netherlands



USB FTDI



Title: Emstat Pico Development Board | USB FTDI

Size: A4 Revision: 3-2019-001

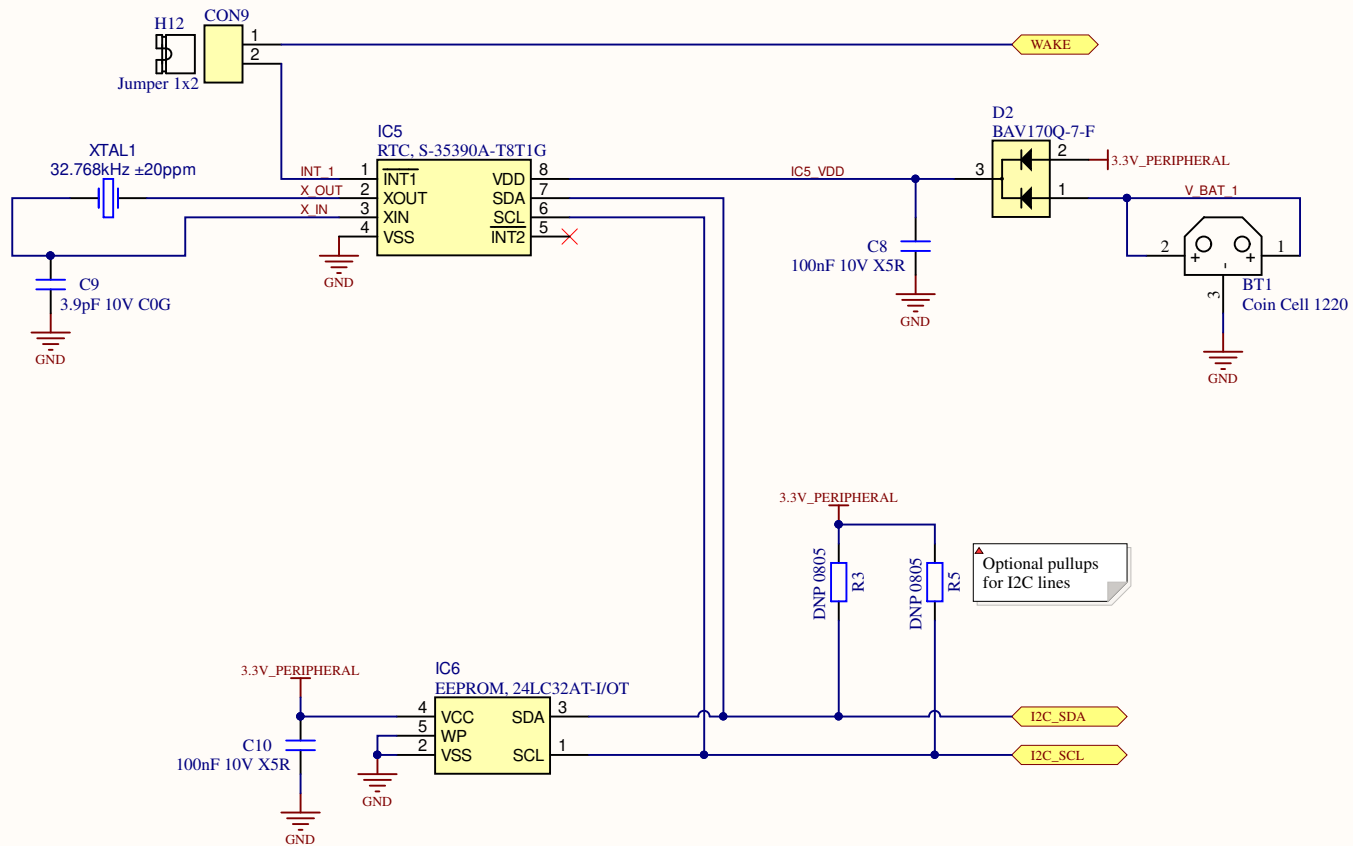
Date: 28/02/2019

Sheet 3 of 7

PalmSens BV
 Randhoeve 221
 3995 GA Houten
 Netherlands



I2C Peripherals



Title: Emstat Pico Development Board | I2C Peripherals

Size: A4 Revision: 3-2019-001

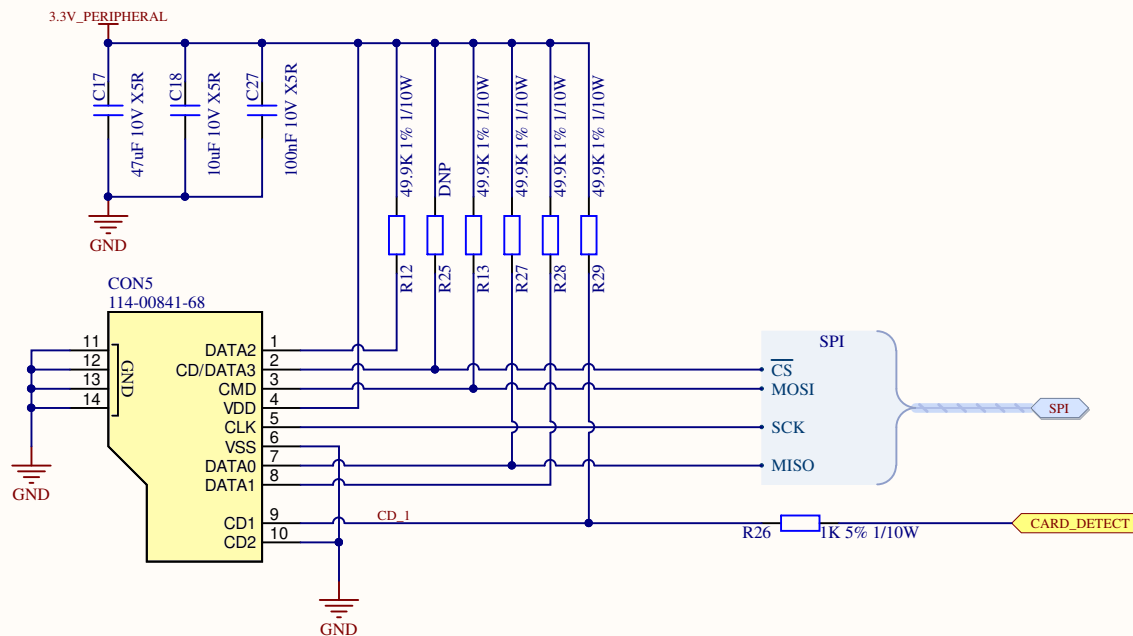
Date: 28/02/2019

Sheet 5 of 7

PalmSens BV
 Randhoeve 221
 3995 GA Houten
 Netherlands



SD-Card



Title: Emstat Pico Development Board | SD-Card

Size: A4 Revision: 3-2019-001

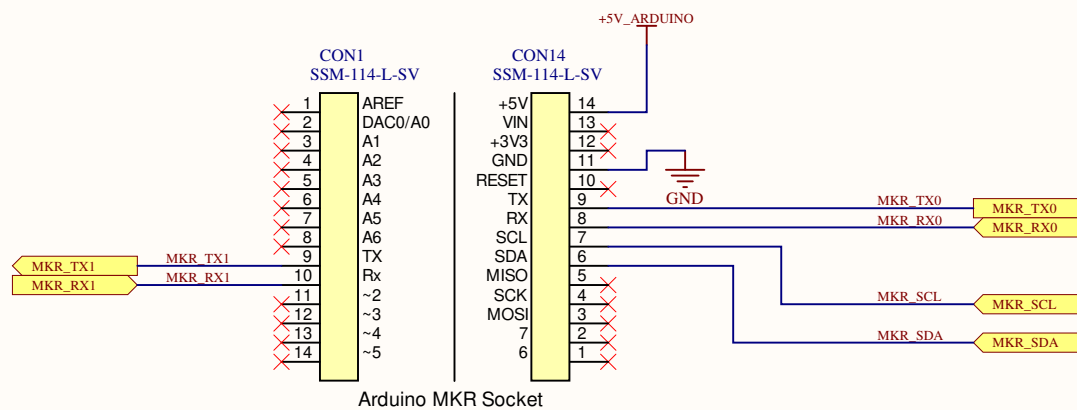
Date: 28/02/2019


Sheet 6 of 7

PalmSens BV
 Randhoeve 221
 3995 GA Houten
 Netherlands



Arduino MKR



Title: Emstat Pico Development Board Arduino MKR		PalmSens BV Randhoeve 221 3995 GA Houten Netherlands	
Size: A4	Revision: 3-2019-001		
Date: 28/02/2019	Sheet 7 of 7		
Document Revision History			
Date	Revision	Description	
28/02/2019	Rev.3-2019-001	First published.	