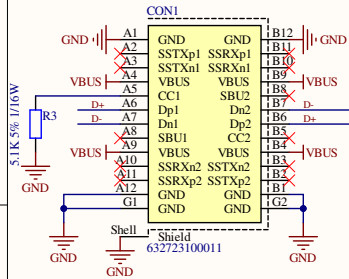
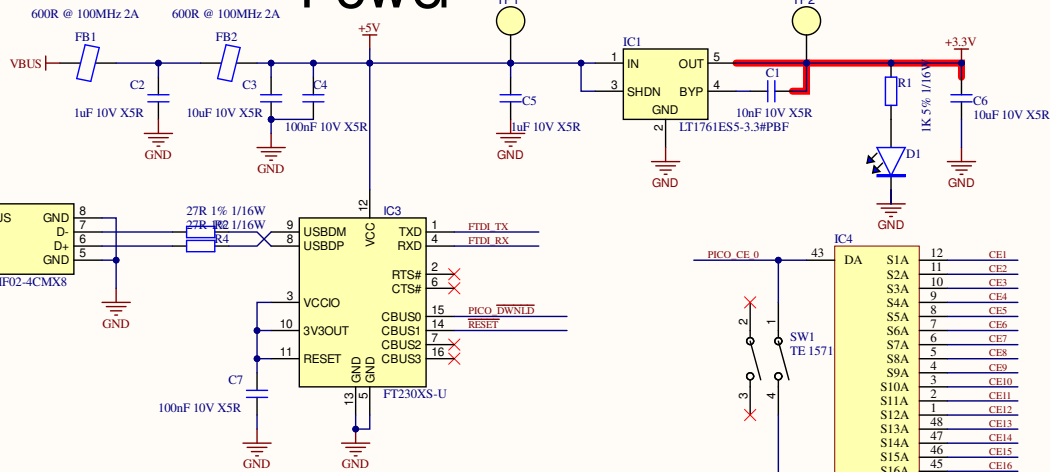


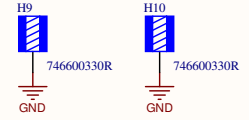
# USB FTDI



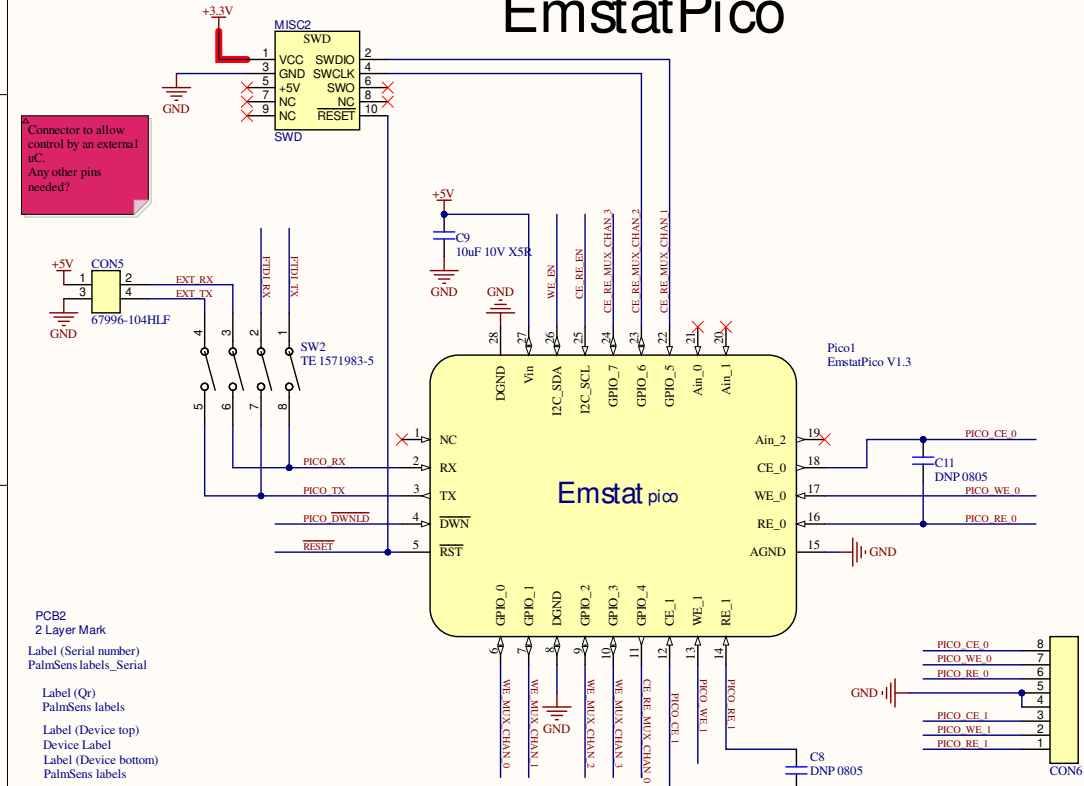
# Power



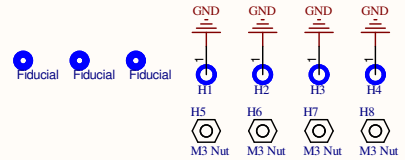
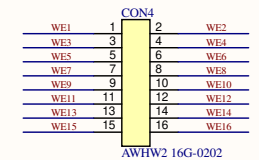
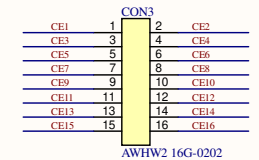
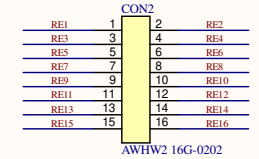
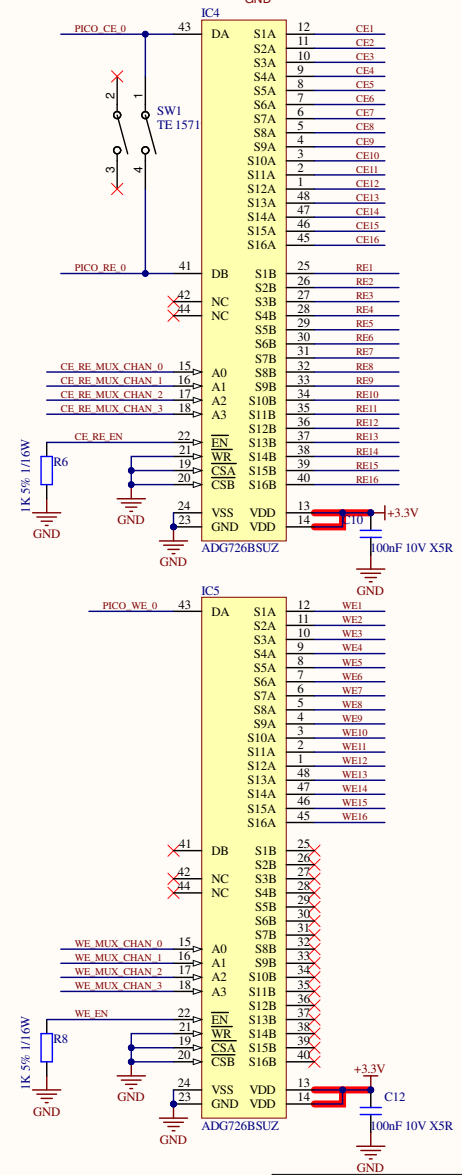
Screw terminal for making gnd connection to faraday cage.



# EmstatPico



Connector to allow control by an external uC. Any other pins needed?



- PCB2  
2 Layer Mark
- Label (Serial number)  
PalmSens labels\_Serial
- Label (Qr)  
PalmSens labels
- Label (Device top)  
Device Label
- Label (Device bottom)  
PalmSens labels
- MISC1  
PalmSens Logo

