

1

2

3

4

5

6

A

A

B

B

C

C

D

1

2

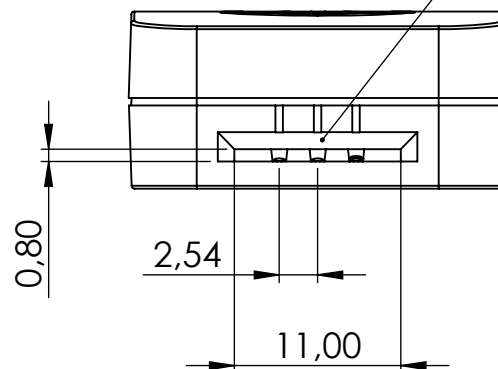
3

5

6



Connections:
RE WE CE



Recommended:

- maximum sensor thickness: 0.5 mm
- maximum sensor width: 10 mm

UNLESS OTHERWISE SPECIFIED:
DIMENSIONS ARE IN MILLIMETERS

REVISION 11-11-2021

PalmSens BV

TITLE:

Sensit Smart - Sensor
Connector Dimensions

DWG NO.

Sheet1

A4

SCALE:1:1

SHEET 1 OF 1