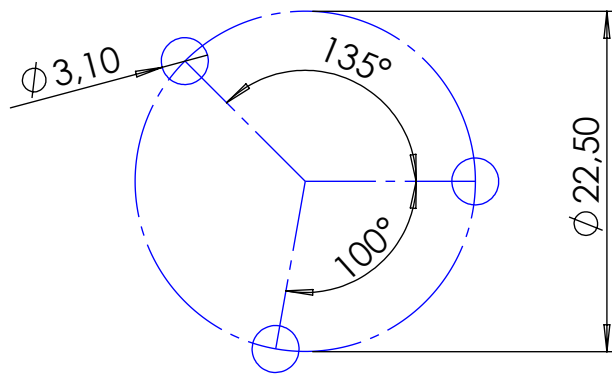


Mounting holes (TopView)



UNLESS OTHERWISE SPECIFIED:
DIMENSIONS ARE IN MILLIMETERS

SURFACE FINISH: $\sqrt{N5}$ unless specified otherwise
TOLERANCES:
LINEAR: 0,1
ANGULAR: 1deg

DEBUR AND BREAK SHARP EDGES

DO NOT SCALE DRAWING

REVISION 15-11-2023

PalmSens BV

TITLE:

Sensit Wearable Mounting
Bracket

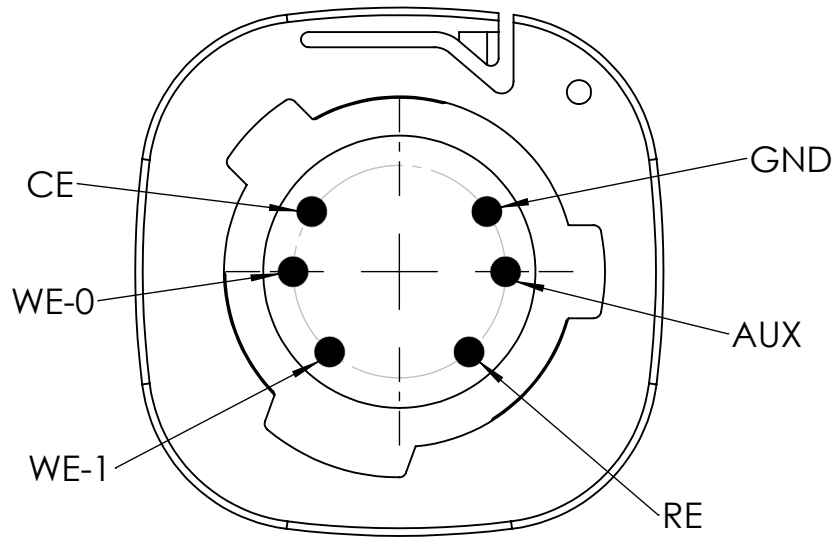
DWG NO.

SW - Mounting Bracket

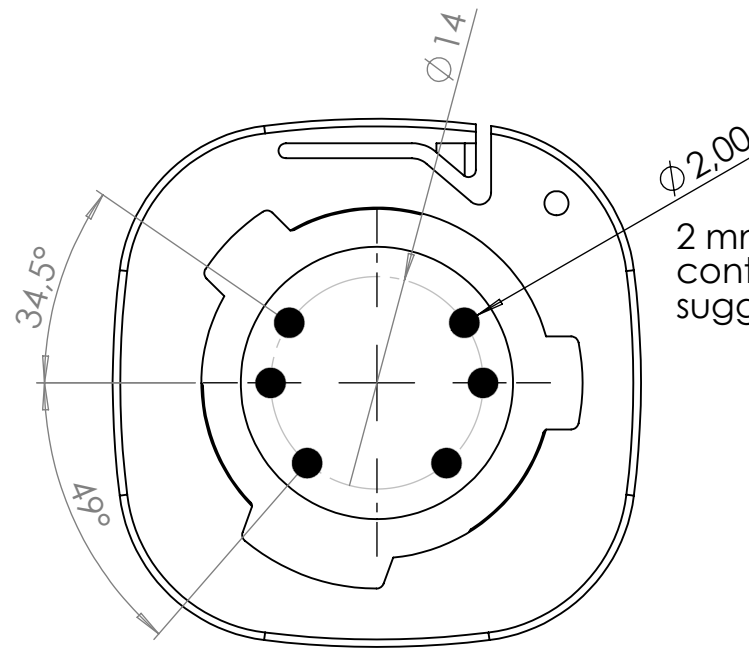
A4

SCALE:2:1

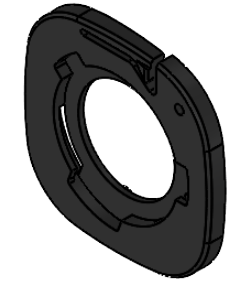
SHEET 1 OF 2



Pin/Pad designations (TOP VIEW)



Pads dimensions (TOP VIEW)



2 mm diameter for the contact pads is the suggested minimum

UNLESS OTHERWISE SPECIFIED:
DIMENSIONS ARE IN MILLIMETERS

SURFACE FINISH: $\sqrt{N5}$ unless specified otherwise
TOLERANCES:
LINEAR: 0.1
ANGULAR: 1deg

DEBUR AND BREAK SHARP EDGES

DO NOT SCALE DRAWING

REVISION 15-11-2023

PalmSens BV

TITLE:

Sensit Wearable Mounting
Bracket

DWG NO.

SW - Pins/Pads

A4

SCALE:2:1

SHEET 2 OF 2