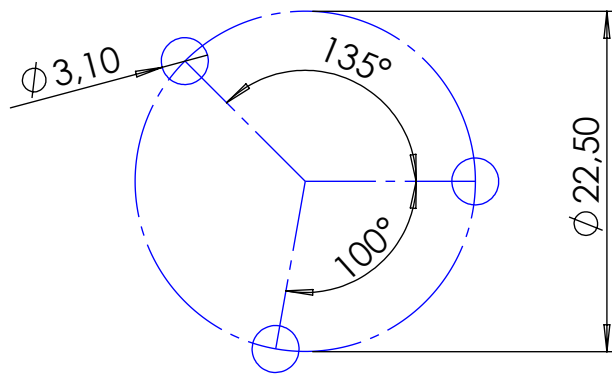
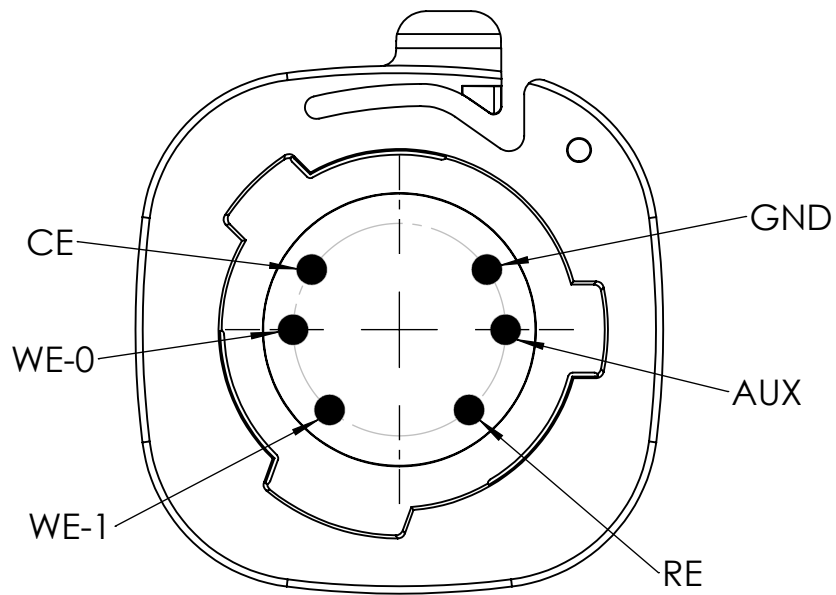


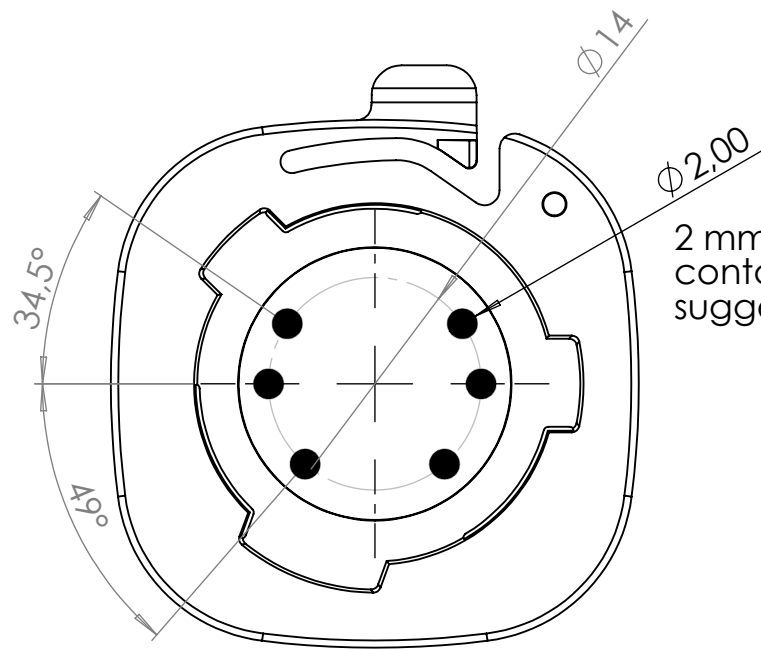
Mounting holes (TopView)



UNLESS OTHERWISE SPECIFIED: DIMENSIONS ARE IN MILLIMETERS	DO NOT SCALE DRAWING	REVISION	03-07-2024
	PalmSens BV		
	TITLE:  Sensit Wearable Mounting Bracket		
	DWG NO.	SW - Mounting Bracket	A4
SCALE:2:1	SHEET 1 OF 2		



Pin/Pad designations (TOP VIEW)



Pads dimensions (TOP VIEW)



2 mm diameter for the contact pads is the suggested minimum

UNLESS OTHERWISE SPECIFIED:  
DIMENSIONS ARE IN MILLIMETERS

DO NOT SCALE DRAWING

REVISION 03-07-2024

PalmSens BV

TITLE:

Sensit Wearable Mounting  
Bracket

DWG NO.

SW - Pins/Pads

A4

SCALE:2:1

SHEET 2 OF 2