

MUX8-R2™

MULTIPLEXER



Compatible with
PalmSens3, (Multi)PalmSens4, EmStat3 Blue and
EmStat4X LR and HR

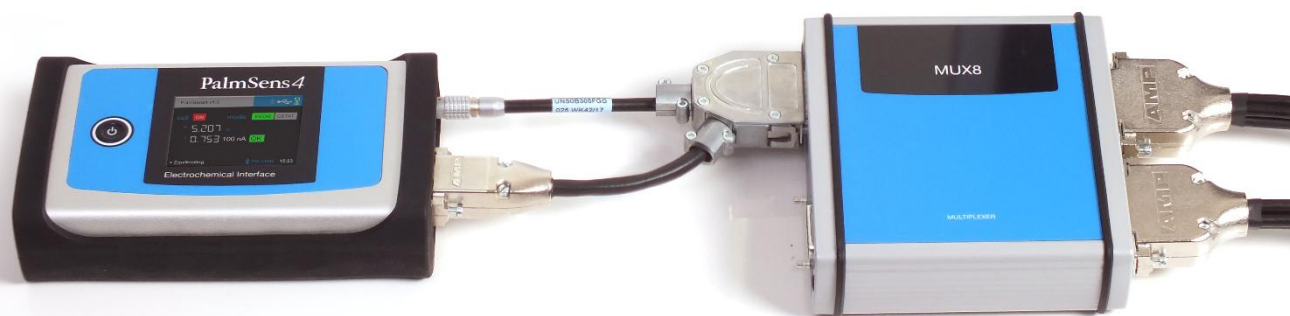
Contents

Description.....	3
Stacking up to 128 channels.....	3
Configurations	4
Connectors	4
Cell Connection Options	5
Supported Techniques	6
Specifications	7
Functional Diagram	7
Dimensions	8
Software Support	8
MUX8-R2 with Integrated Potentiostat	9

➤ See for more information:
www.palmsens.com/mux8-r2

Description

The MUX8-R2 multiplexer extends a PalmSens3, PalmSens4, EmStat3 Blue, EmStat4X or a channel of a MultiPalmSens4 potentiostat. The multiplexer allows to increase productivity by automatically switching between up to 8 electrochemical cells. Each cell having their own WE, Sense or WE2, RE and CE electrodes.



Stacking up to 128 channels

Each multiplexer has a Link connector which can be used to daisy chain to another MUX8-R2 multiplexer, expanding the number of channels. A maximum of 16 multiplexers can be connected in a daisy chain, giving a maximum of 128 channels.

Our PStTrace software detects automatically how many multiplexers are daisy chained and shows the available number of channels in the user interface.



Magnetic feet for easy stacking.

Configurations

The MUX8-R2 multiplexer is designed for use up to 128 channels with 2- or 3- electrode sensors or cells.

The multiplexer can be used with different electrode or sensor configurations:

1. Eight separate cells or sensors each with a working/sense, reference and counter electrode.
2. Eight separate cells or sensors each with a working/sense and combined reference and counter electrode.
3. Cell or sensor array with eight working/sense electrodes sharing one reference and one counter electrode.
4. Cell or sensor array with eight working/sense electrodes sharing one combined reference/counter electrode.

In all configurations the cells can be multiplexed, leaving the non-selected working electrodes either at open circuit (individually floating) or at Ground potential.

When in configurations 3 and 4, the unselected channels are switched to Ground, they will have the working electrode's potential. This is due to the fact that the active WE is always at Ground potential.

You can easily change the hardware configuration of the MUX8-R2 as part of the measurement settings in our PSTrace software or the PStouch app for Android.

MUX8-R2 Settings

Connect Sense to WE

Combine RE and CE

Use Common RE and CE on Channel 1

Unselected WE

Disconnect WE (floating)

Switch WE to GND

The hardware configuration can be set in our software.

Connectors

The MUX8-R2 has the following connectors:

Connector	Function
Input	Y-cable connects to both potentiostat sensor connector and (digital) AUX.
AUX	Can be used to measure auxiliary input like temperature or pH, and to switch external hardware using two digital control lines that can be set in our software.
Link	Connects to Input of next multiplexer, for daisy-chaining multiple multiplexers.
USB-C	For providing extra power in case more than two multiplexers are connected to a single instrument.
Channel 1-4	Connects to WE, Sense, WE2, RE and CE of channels 1-4.
Channel 5-8	Connects to WE, Sense, WE2, RE and CE of channels 5-8.

Cell Connection Options

Option A (default):

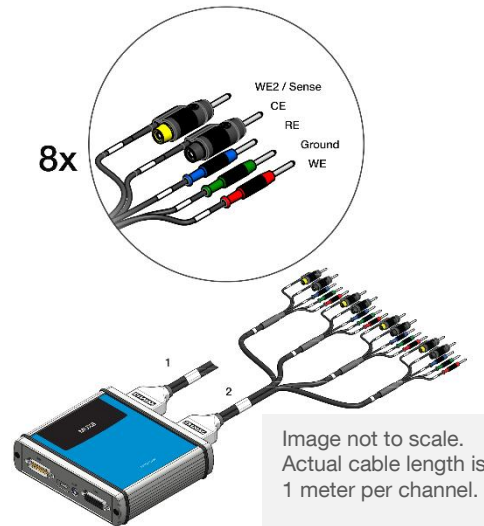
The channels are divided into two distinct sets of four sensor cables joined with a D-Sub connector.

Channels 1-4.

Order code: [CBL-SNS-DS25-5S-1_4]

Channels 5-8.

Order code: [CBL-SNS-DS25-5S-5_8]



Option B:

The cable here shown at the right can be used in case the multiplexer needs to be connected to a fixed setup by means of soldering or screw-terminals.

Order code: [CBL-MUX08R2-HD]



Option C:

You can also connect one or two screw-terminals directly in the multiplexer.

Order code: [MUX08R2-ST]



Option D:

The SPE adapter for our MUX8-R2 multiplexer allows you to connect 8x Screen Printed Electrodes (SPE's). The pitch of the SPE connector is 2.54 mm and compatible with the most popular brands of SPE's.

Order code: [MUX08R2-SPE]



Supported Techniques

All electrochemical techniques can be used in Sequential Mode where each measurement runs from start finish before switching to the next selected multiplexer channel.



Alternating Mode


In sequential mode each channel is set before the next measurement starts. In alternating mode, the channels are quickly scanned during each interval time giving a virtual-simultaneous measurement across the selected channels.

The following techniques can also be used in Alternating Mode:

Amperometric techniques

- Chronoamperometry
- Zero Resistance Amperometry
- Chronocoulometry

CA
ZRA
CC



Galvanostatic techniques

- Chronopotentiometry
- Open Circuit Potentiometry

CP
OCP



Other

- Impedance spectroscopy at fixed frequency or frequency scan vs
 - fixed potential or fixed current
 - scanning potential or scanning current
 - time

EIS/GEIS 

* Alternating Mode with EIS/GEIS is only supported in combination with the PalmSens3 and PalmSens4.

Specifications

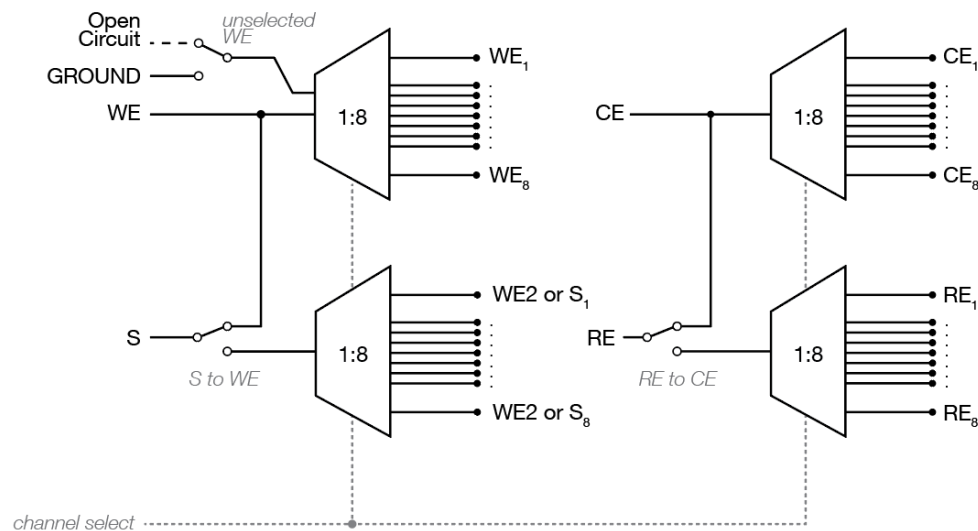
System specifications

▪ number of channels	8 (up to 128 channels when daisy chained)
▪ multiplexer	switches 8 x [WE, WE2 or Sense, RE, CE]
▪ on resistance for WE	1.5 ohm typical
▪ charge injection for WE	20 pC typical
▪ leakage current	< 55 pA (20 pA typical) at 25 °C
▪ switching time	2 ms
▪ compliance voltage	±10 V
▪ maximum current	70 mA (when used with EmStat3+ Blue or EmStat4X HR)

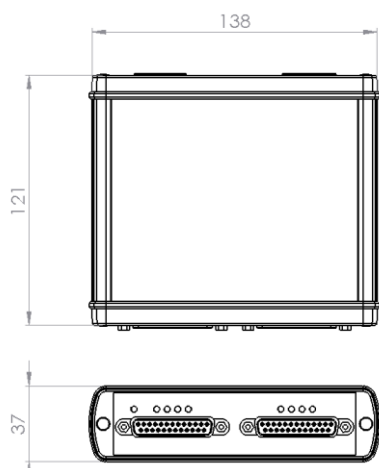
Limitations for Electrochemical Impedance Spectroscopy (EIS)

▪ max. frequency for EIS	100 kHz when switching WE/S, RE and CE 1 MHz when switching WE/S and RE+CE combined (2 electrodes configuration)
--------------------------	--

Functional Diagram



Dimensions



Dimensions in mm

Software Support



The MUX8-R2 is supported by PSTrace and MultiTrace for Windows and the PStouch app for Android.



MUX8-R2 with Integrated Potentiostat

EMSTAT4 MUX™



The MUX8-R2 multiplexer is also available with integrated EmStat4 LR potentiostat. This very compact combination allows for a high productivity with a small footprint.

➤ See for more information:
www.palmsens.com/emstatmux

PalmSens BV has more than 50 distributors around the world.
Please contact us at info@palmstens.com or go to our website to get
in touch with a distributor in your region.



Please do not hesitate to contact PalmSens for more details: info@palmstens.com

PalmSens BV
The Netherlands
www.palmstens.com

DISCLAIMER

Changes in specifications and typing errors reserved.
Every effort has been made to ensure the accuracy of
this document. However, no rights can be claimed by
the contents of this document.

